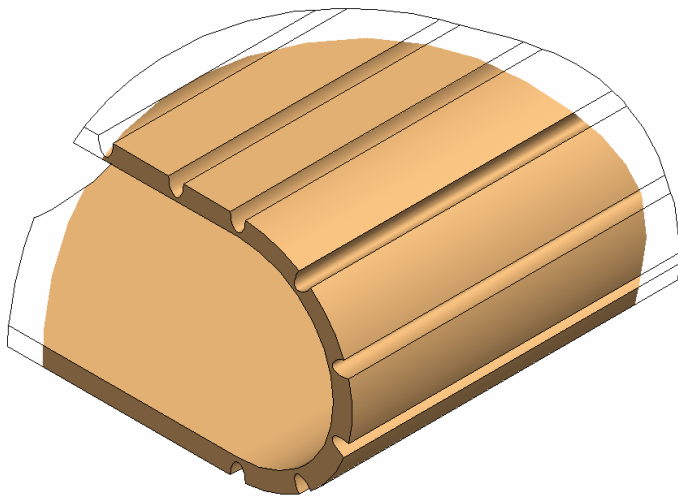
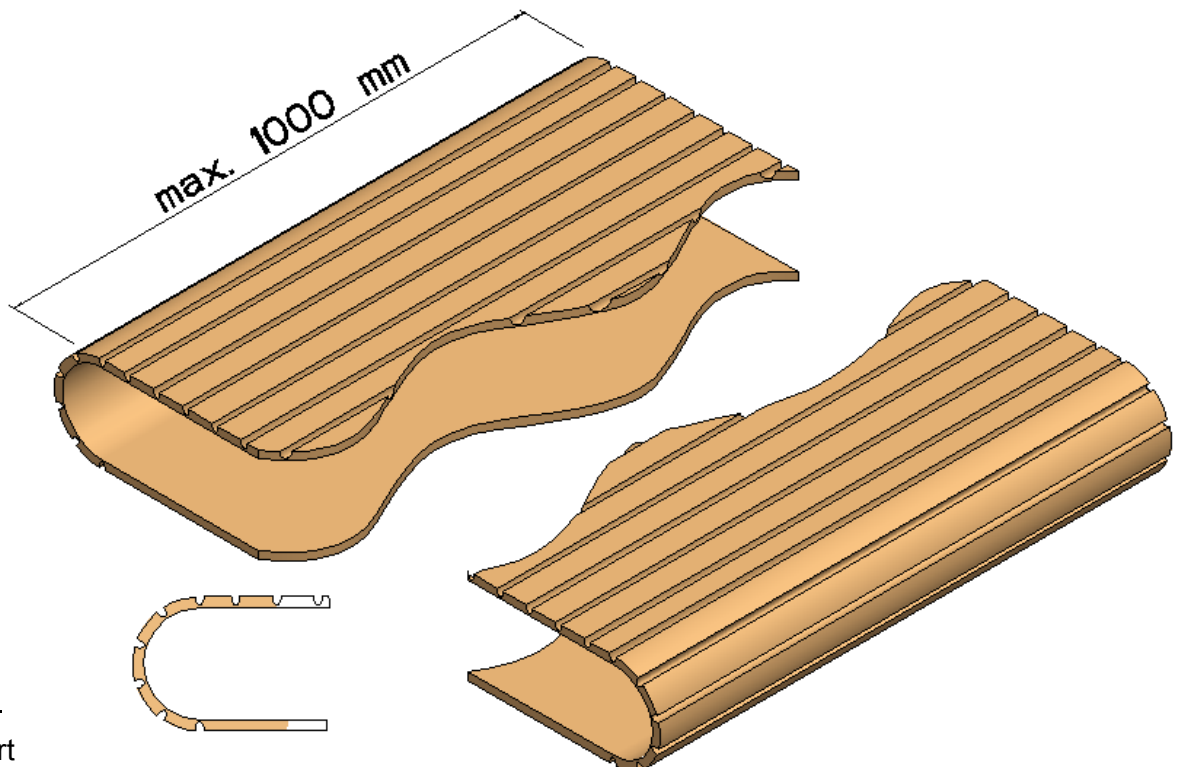


## Diagonally reworking of conveyor and timing belts



### characteristics

- milling and grinding of wide conveyor and timing belts
- max. width 1.000mm



### application

- transport
- others